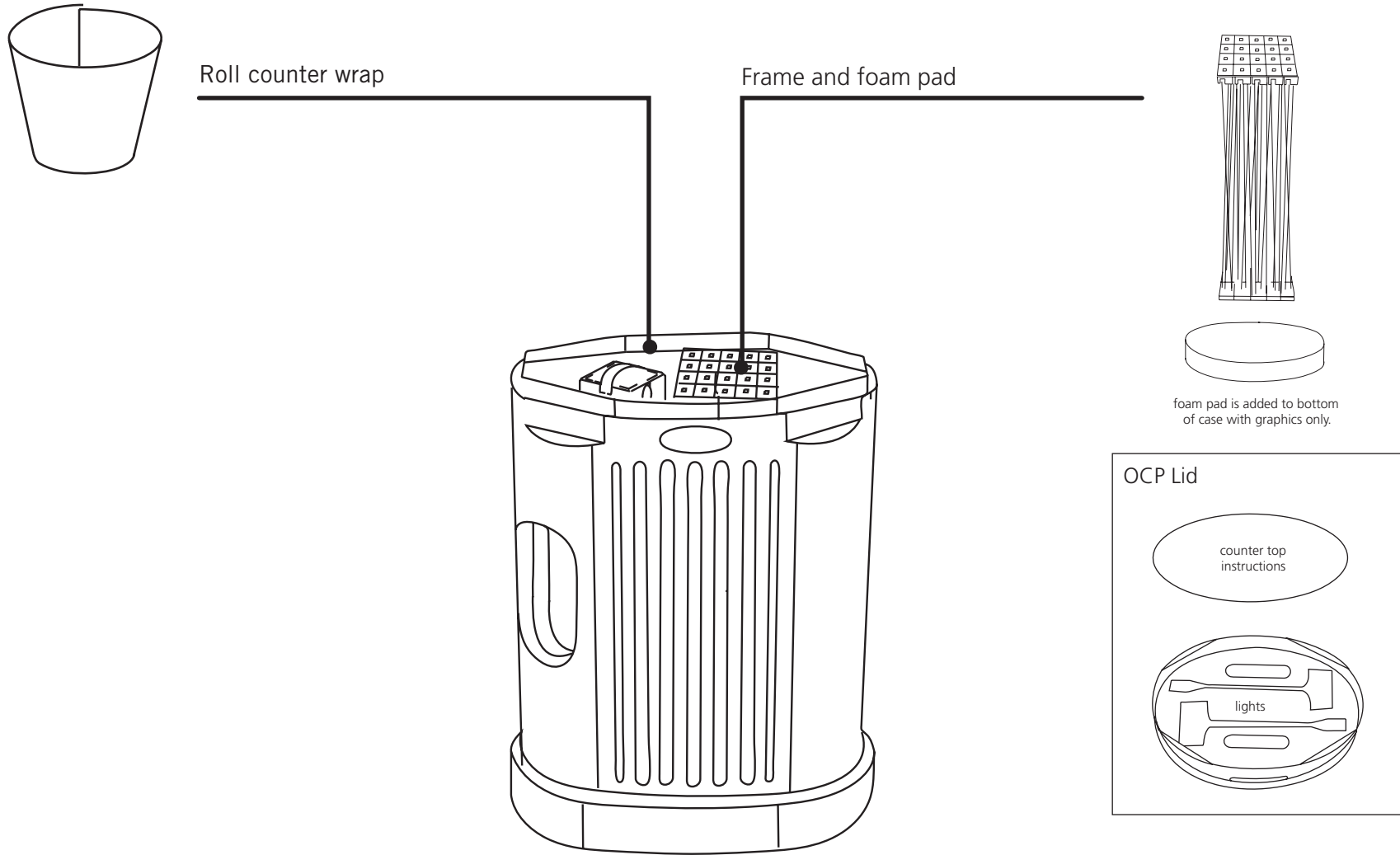


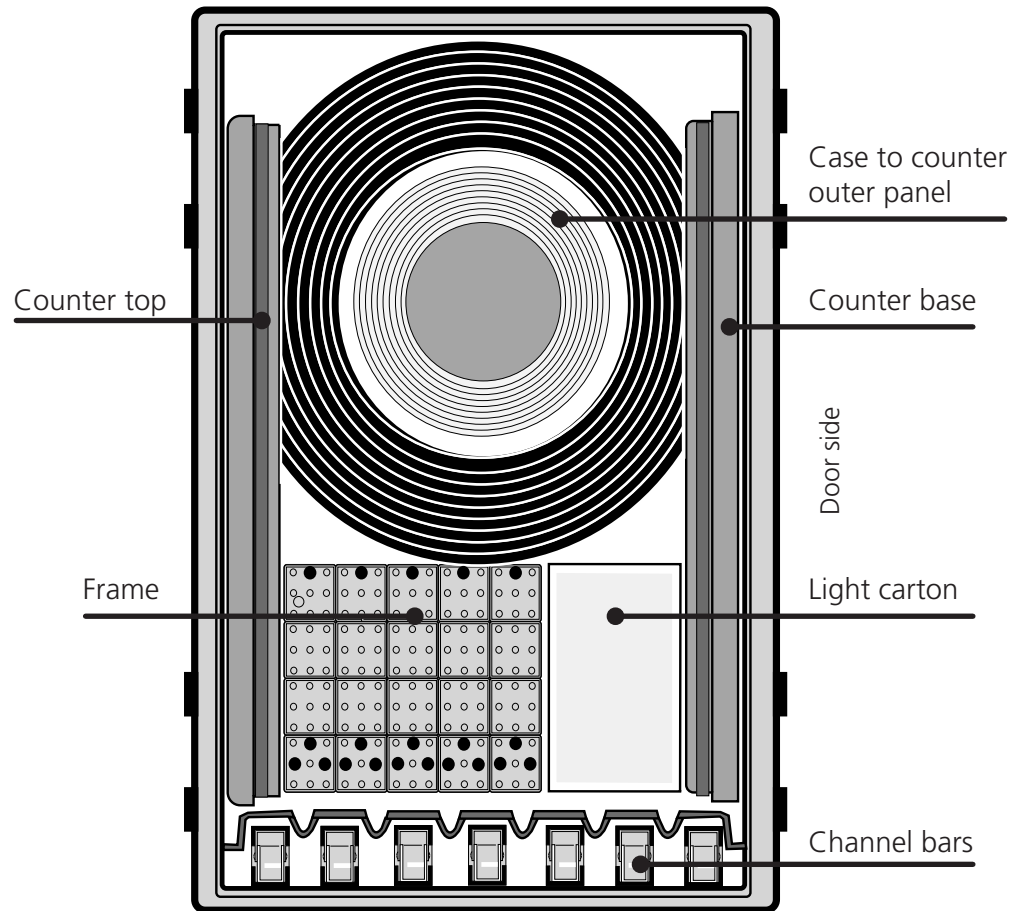
# Coyote popup OCP packing instructions



## Packing instructions

1. Roll counter wrap with plastic facing out and place inside the case against the outside wall.
2. Individually roll panels and place inside case until all panels are in the case and against the outside wall. (fabric to fabric/ magnet to magnet)
3. Pack channel bar into the storage bag. Then release magnetic locking arms to collapse the frame.
4. Place foam pad in bottom of case then pack frame and bag in the center.
5. Counter top snaps inside lid holding the lights in place.  
\*Allow lights to cool before packing.

# Coyote popup OCP Elite packing instructions



## Packing instructions

1. Insert channel bars upright into the holder in the bottom of the case. Slide the counter base into the case along the door side.

2. Place the counter top in the protective bag, then place it in the case along the side opposite the door.

3. Pack the frame next to the channel bar holder.

4. Place the wrapped panels between the counter base and counter top.

5. Roll up the case-to-counter outer panel. Secure it with rubber bands and insert it in the center of the wrapped panels into the well in the bottom of the case.

6. Slide the light carton between the frame and counter base.